

## Features

- Single bowl.
- 10" (254 mm) depth provides generous workspace.
- Three graduated ledges in basin allow you to place accessories at your preferred height.
- Accessories stack and slide on ledges for a custom arrangement.
- Beveled cone-shape basin slopes into drain, easily disposing debris.
- Works with all standard countertop thicknesses. Pairs best with 30 mm countertop thickness if a flush surface between counter and cutting board is desired.
- Strainer sold separately.

## Material

- Fabricated 18-gauge stainless steel.

## Installation

- Undermount.
- Minimum base cabinet width: 45"-48" (45" may require cabinet modifications).

## Recommended Products/Accessories

- K-5541 Bamboo Cutting Board
- K-8801 Sink drain and strainer with tailpiece
- K-8799 Sink drain and strainer basket
- K-23726 Drain treatment
- K-23729 Stainless steel cleaner
- K-11352 Disposal Flange with Stopper

## Included Components

Product consists of:

- K-23680 Large Bamboo Cutting Board
- K-5544 Colander and Washbin
- K-5542 Multipurpose Grated Rack (Qty 2)

Additional Components:

- Installation hardware

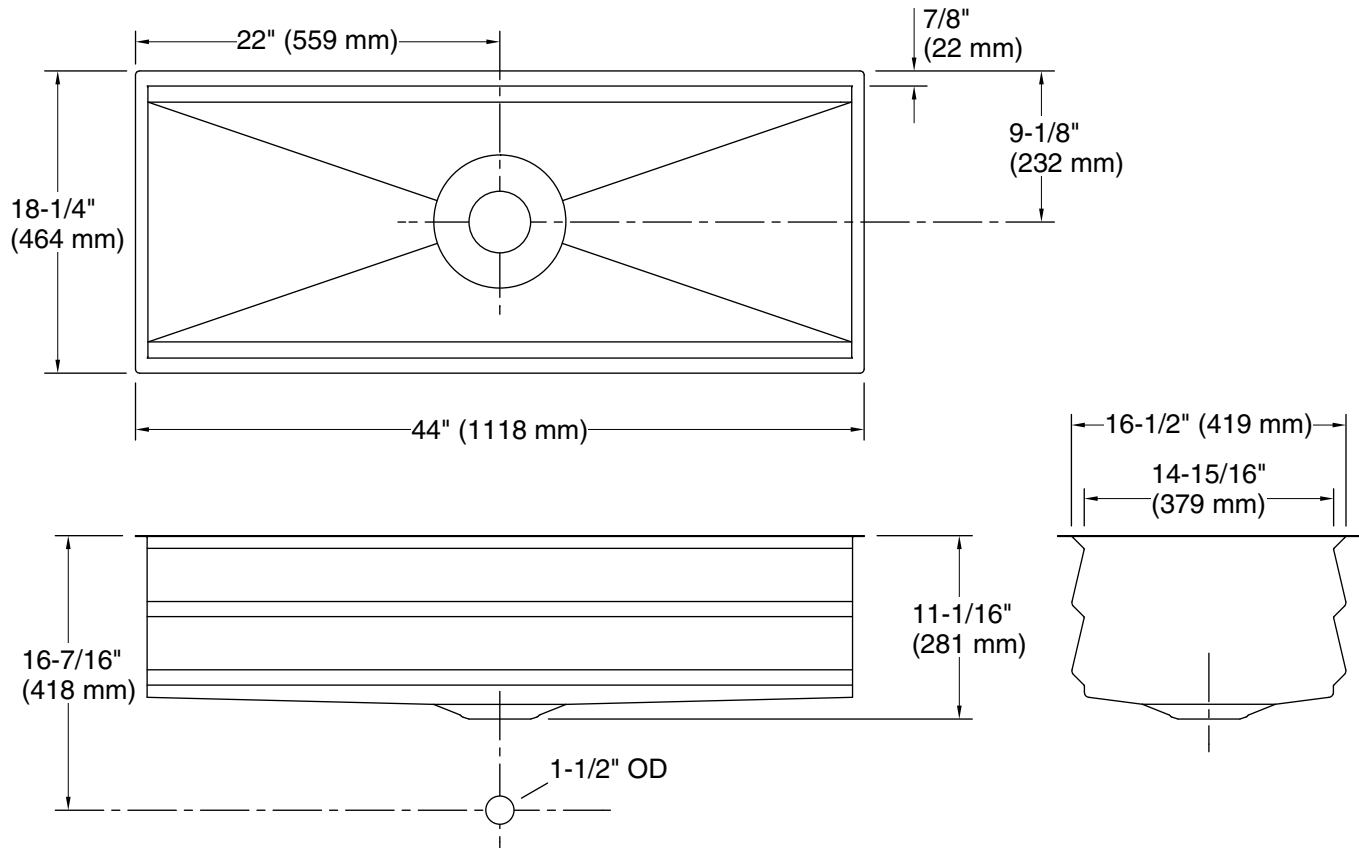


## Codes/Standards

ASME A112.19.3/CSA B45.4

## KOHLER® Stainless Steel Sinks Lifetime Limited Warranty

See website for detailed warranty information.



### Technical Information

All product dimensions are nominal.

|                          |   |
|--------------------------|---|
| Installation:            | Undermount  |
| Min. base cabinet width: | 48" (1219 mm)   |
| Bowl area (Only):        | Length: 42-1/2" (1080 mm)<br>Width: 14-15/16" (379 mm)<br>Bowl depth: 10-1/8" (257 mm)<br>Water depth: 10-1/8" (257 mm) |
| Drain hole:              | 3-3/4" (94 mm)  |
| Template:                | 1311447-7, required, included   |

### Notes

Install this product according to the installation instructions.

Countertop manufacturer or cutter must use the cut-out template provided with the product, or a current one provided by Kohler Co. (call 1-800-43-FOCUS). Kohler Co. is not responsible for cut-out errors when the incorrect cut-out template is used.